



King's Research Portal

DOI:

[10.1016/j.scr.2015.12.003](https://doi.org/10.1016/j.scr.2015.12.003)

Document Version

Publisher's PDF, also known as Version of record

[Link to publication record in King's Research Portal](#)

Citation for published version (APA):

Miere, C., Hewitson, H., Wood, V., Kadeva, N., Cornwell, G., Codognotto, S., Stephenson, E., & Ilic, D. (2016). Generation of KCL016 research grade human embryonic stem cell line carrying a mutation in VHL gene. *Stem Cell Research*, 16(1), 37-39. <https://doi.org/10.1016/j.scr.2015.12.003>

Citing this paper

Please note that where the full-text provided on King's Research Portal is the Author Accepted Manuscript or Post-Print version this may differ from the final Published version. If citing, it is advised that you check and use the publisher's definitive version for pagination, volume/issue, and date of publication details. And where the final published version is provided on the Research Portal, if citing you are again advised to check the publisher's website for any subsequent corrections.

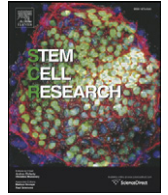
General rights

Copyright and moral rights for the publications made accessible in the Research Portal are retained by the authors and/or other copyright owners and it is a condition of accessing publications that users recognize and abide by the legal requirements associated with these rights.

- Users may download and print one copy of any publication from the Research Portal for the purpose of private study or research.
- You may not further distribute the material or use it for any profit-making activity or commercial gain
- You may freely distribute the URL identifying the publication in the Research Portal

Take down policy

If you believe that this document breaches copyright please contact librarypure@kcl.ac.uk providing details, and we will remove access to the work immediately and investigate your claim.



Lab resource: Stem cell line

Generation of KCL016 research grade human embryonic stem cell line carrying a mutation in *VHL* gene



Cristian Miere, Heema Hewitson, Victoria Wood, Neli Kadeva, Glenda Cornwell, Stefano Codognotto, Emma Stephenson, Dusko Ilic*

Stem Cell Laboratories, Division of Women's Health, Faculty of Life Sciences and Medicine, King's College London and Assisted Conception Unit, Guys' Hospital, London, United Kingdom

ARTICLE INFO

Article history:

Received 30 November 2015

Accepted 2 December 2015

Available online 3 December 2015

ABSTRACT

The KCL016 human embryonic stem cell line was derived from an embryo donated for research that carried an autosomal dominant mutation affecting splicing site of the *VHL* gene encoding von Hippel–Lindau tumor suppressor E3 ubiquitin protein ligase (676 + 3A > T). The ICM was isolated using laser microsurgery and plated on γ -irradiated human foreskin fibroblasts. Both the derivation and cell line propagation were performed in an animal product-free environment. Pluripotent state and differentiation potential were confirmed by in vitro assays.

© 2015 The Authors. Published by Elsevier B.V. This is an open access article under the CC BY-NC-ND license (<http://creativecommons.org/licenses/by-nc-nd/4.0/>).

1. Resource table

Name of stem cell line	KCL016
Institution	King's College London, London, UK
Derivation team	Neli Kadeva, Victoria Wood, Glenda Cornwell, Stefano Codognotto, Emma Stephenson
Contact person and email	Dusko Ilic, email: dusko.ilic@kcl.ac.uk
Type of resource	Biological reagent: cell line
Sub-type	Human pluripotent stem cell line
Origin	Human embryo
Key marker expression	Pluripotent stem cell markers: NANOG, OCT4, TRA-1-60, TRA-1-81, alkaline phosphatase (AP) activity
Authentication	Identity and purity of line confirmed
Link to related literature (direct URL links and full references)	<ol style="list-style-type: none"> Ilic, D., Stephenson, E., Wood, V., Jacquet, L., Stevenson, D., Petrova, A., Kadeva, N., Codognotto, S., Patel, H., Semple, M., Cornwell, G., Ogilvie, C., Braude, P., 2012. Derivation and feeder-free propagation of human embryonic stem cells under xeno-free conditions. <i>Cytotherapy</i>. 14 (1), 122–128. doi: 10.3109/14653249.2011.623692 http://www.ncbi.nlm.nih.gov/pubmed/22029654 Stephenson, E., Jacquet, L., Miere, C., Wood, V., Kadeva, N., Cornwell, G., Codognotto, S., Dajani, Y., Braude, P., Ilic, D., 2012. Derivation and propagation of human embryonic stem cell lines from frozen embryos in an animal product-free environment. <i>Nat. Protoc.</i> 7 (7), 1366–1381. doi: 10.1038/nprot.2012.080 http://www.ncbi.nlm.nih.gov/pubmed/22722371

Information in public databases	<p>KCL016 is a National Institutes of Health (NIH) registered hESC line NIH registration number: 0216 NIH approval number: NIHhESC-13-0216 http://grants.nih.gov/stem_cells/registry/current.htm?id=656 The hESC line KCL016 is derived under license from the UK Human Fertilisation and Embryology Authority (research license numbers: R0075 and R0133) and also has local ethical approval (UK National Health Service Research Ethics Committee Reference: 06/Q0702/90).</p>
Ethics	<p>Informed consent was obtained from all subjects and the experiments conformed to the principles set out in the WMA Declaration of Helsinki and the NIH Belmont Report. No financial inducements are offered for donation.</p>

2. Resource details

Consent signed	Aug 12, 2009
Embryo thawed	Aug 23, 2009
UK stem cell bank deposit approval	Sep 23, 2010
Sex	Female 46, XX
Grade	Research
Disease status (Fig. 1)	Mutation affecting splicing site of the <i>VHL</i> gene encoding von Hippel–Lindau tumor suppressor E3 ubiquitin protein ligase (676 + 3A > T)
Karyotype (aCGH)	Imbalance at 8p23.1 (7,256,229–7,729,370)
DNA fingerprint (Table 1)	Allele sizes (in bp) of 16 microsatellite markers specific for chromosomes 13, 18 and 21
Viability testing	Pass
Pluripotent markers (immunostaining) (Fig. 2)	NANOG, OCT4, TRA-1-60, TRA-1-81, AP activity
Three germ layer differentiation	Endoderm: AFP (α -fetoprotein)

* Corresponding author.

E-mail address: dusko.ilic@kcl.ac.uk (D. Ilic).

in vitro (immunostaining) (Fig. 3)	Ectoderm: TUBB3 (tubulin, β 3 class III)
Sibling lines available	Mesoderm: ACTA2 (actin, α 2, smooth muscle) KCL015, KCL017

We generated KCL016 clinical grade hESC line following protocols, established previously (Ilic et al., 2012; Stephenson et al., 2012). The expression of the pluripotency markers was tested after freeze/thaw cycle (Fig. 2). Differentiation potential into three germ layers was verified in vitro (Fig. 3).

Molecular karyotyping identified an imbalance on chromosome 8p23.1 (7,256,229–7,729,370) that was not present in either of two sibling cell lines, KCL015 and KCL017. Imbalance in this region has been found in normal individuals and is established as benign copy number variation.

3. Materials and methods

3.1. Consenting process

We distribute Patient Information Sheet (PIS) and consent form to the in vitro fertilization (IVF) patients if they opted to donate to research embryos that were stored for 5 or 10 years. They mail signed consent back to us and that might be months after the PIS and consent were mailed to them. If in the meantime new versions of PIS/consent are implemented, we do not send these to the patients or ask them to re-sign; the whole process is done with the version that was given them initially. The PIS/consent documents (PGD-V.6) were created on Aug. 10, 2007. HFEA Code of Practice was in effect at the time of document creation: Edition 7 – R.1 (<http://www.hfea.gov.uk/2999.html>). The donor couple signed the consent on Aug. 12, 2009. HFEA Code of Practice was in effect at the time of donor signature: Edition 7 – R.4. HFEA Code of Practice Edition 7 – R.1 was in effect until 09 Dec. 2007 and Edition 7 – R.4 was in effect: 02 Oct. 2008–30 Sep. 2009.

3.2. Embryo culture and micromanipulation

Embryo culture and laser-assisted dissection of inner cell mass (ICM) were carried out as previously described in details (Ilic et al., 2012; Stephenson et al., 2012). The cellular area containing the ICM was then washed and transferred to plates containing mitotically inactivated human neonatal foreskin fibroblasts (HFF).

Table 1

Genotyping. Microsatellite markers specific for chromosomes 13, 18, 21, X and Y were amplified. The allele sizes in bp for markers on chromosomes 13, 18, and 21 are listed in the table.

Chr	Marker	Allele 1	Allele 2
13	D13S252	294	298
	D13S305	443	459
	D13S325	288	292
	D13S628	453	453
	D13S634	403	415
	D18S386	375	390
	D18S390	372	380
18	D18S391	217	217
	D18S535	478	486
	D18S819	416	420
	D18S976	480	483
	D18S978	215	219
	D21S11	244	248
	D21S1409	214	227
21	D21S1411	311	319
	D21S1435	184	184
	D21S1437	331	331

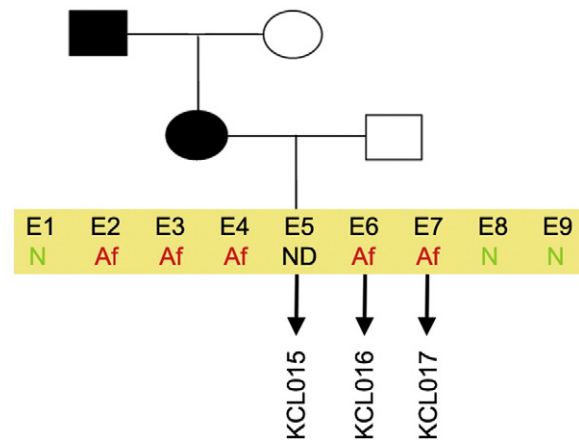


Fig. 1. Genetic pedigree tree of the couple undergoing PGD for the VHL syndrome.

3.3. Cell culture

ICM plated on mitotically inactivated HFF was cultured as described (Ilic et al., 2012; Stephenson et al., 2012). TE cells were removed mechanically from outgrowth (Ilic et al., 2007, 2010). hES colonies were expanded and cryopreserved at the third passage.

3.4. Viability test

Straws with the earliest frozen passage (p.2-3) are thawed and new colonies are counted three days later. These colonies are then expanded up to passage 8, at which point cells were part frozen and part subjected to standard battery of tests (pluripotency markers, in vitro and in vivo differentiation capability, genetics, sterility, mycoplasma).

3.5. Pluripotency markers

Pluripotency was assessed using two different techniques: enzymatic activity assay [alkaline phosphatase (AP) assay] and immunostaining as described (Ilic et al., 2012; Stephenson et al., 2012).

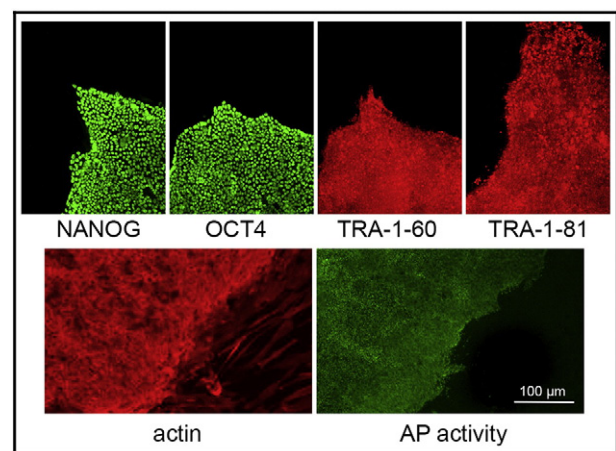


Fig. 2. Expression of pluripotency markers. Pluripotency is confirmed by immunostaining (Oct4, Nanog, TRA-1-60, TRA-1-81) and alkaline phosphatase (AP) activity assay. Actin stress fibers, visualized with rhodamine-phalloidin (red), are present in both feeders and hES cell colonies, whereas AP activity (green) is detected only in hES cells. Scale bar, 100 μ m.

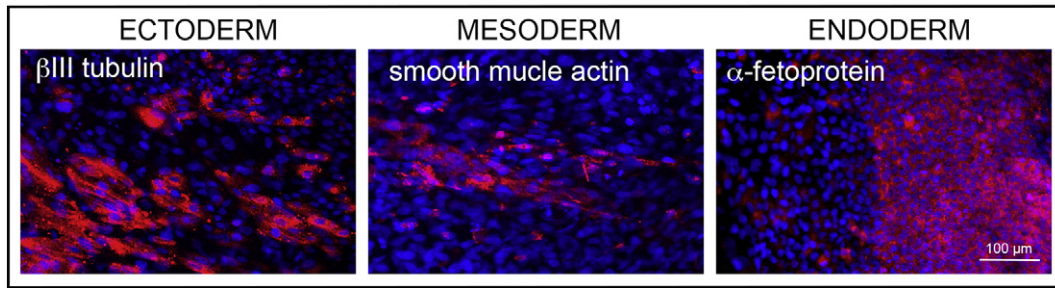


Fig. 3. Differentiation of three germ layers in vitro is confirmed by detection of markers: smooth muscle actin (red) for mesoderm, β -III tubulin (red) for ectoderm and α -fetoprotein (red) for endoderm. Nuclei are visualized with Hoechst 33342 (blue). Scale bar, 100 μ m.

3.6. Genotyping

DNA was extracted from hES cell cultures using a Chemagen DNA extraction robot according to the manufacturer's instructions. Amplification of polymorphic microsatellite markers was carried out as described (Ilic et al., 2012). Allele sizes were recorded to give a unique fingerprint of each cell line.

3.7. Array comparative genomic hybridization (aCGH)

aCGH was performed as described in details (Ilic et al., 2012).

4. Author disclosure statement

There are no competing financial interests in this study.

5. Acknowledgments

This work was supported by the UK Medical Research Council grants G0701172 and G0801061. We thank Dr. Yacoub Khalaf, director of the

Assisted Conception Unit of Guy's and St. Thomas' NHS Foundation Trust and his staff for supporting the research program. We are especially indebted to Prof. Peter Braude and to the patients who donated embryos.

References

- Ilic, D., Genbacev, O., Krtolica, A., 2007. Derivation of hESC from intact blastocysts. *Curr. Protoc. Stem Cell Biol.* (Chapter 1: Unit 1A.2).
- Ilic, D., Caceres, E., Lu, S., Julian, P., Foulk, R., Krtolica, A., 2010. Effect of karyotype on successful human embryonic stem cell derivation. *Stem Cells Dev.* 19 (1), 39–46.
- Ilic, D., Stephenson, E., Wood, V., Jacquet, L., Stevenson, D., Petrova, A., Kadeva, N., Codognotto, S., Patel, H., Semple, M., Cornwell, G., Ogilvie, C., Braude, P., 2012. Derivation and feeder-free propagation of human embryonic stem cells under xeno-free conditions. *Cytotherapy* 14 (1), 122–128.
- Stephenson, E., Jacquet, L., Miere, C., Wood, V., Kadeva, N., Cornwell, G., Codognotto, S., Dajani, Y., Braude, P., Ilic, D., 2012. Derivation and propagation of human embryonic stem cell lines from frozen embryos in an animal product-free environment. *Nat. Protoc.* 7 (7), 1366–1381.